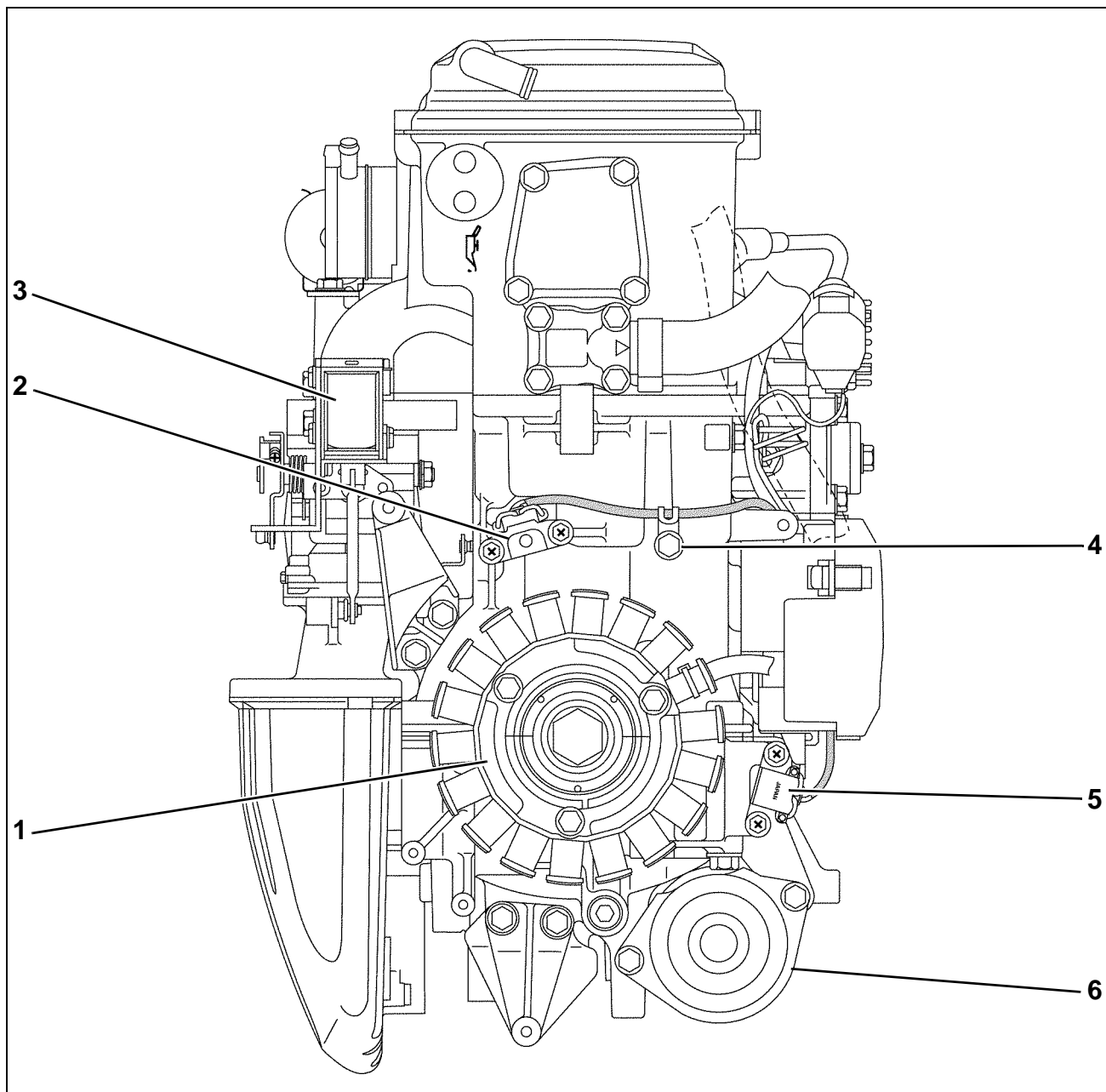


WIRE AND HOSE ROUTING

TABLE OF CONTENTS

WIRE ROUTING244
 30 TEL245
 30 (PL) REMOTE246
 30 TEL247
 30 (PL) REMOTE247
 30 TEL248
 30 (PL) REMOTE248
 30 TEL249
 30 (PL) REMOTE249
FUEL / WATER HOSE ROUTING250
 30 TEL250
 30 (PL) REMOTE251
NOTES254

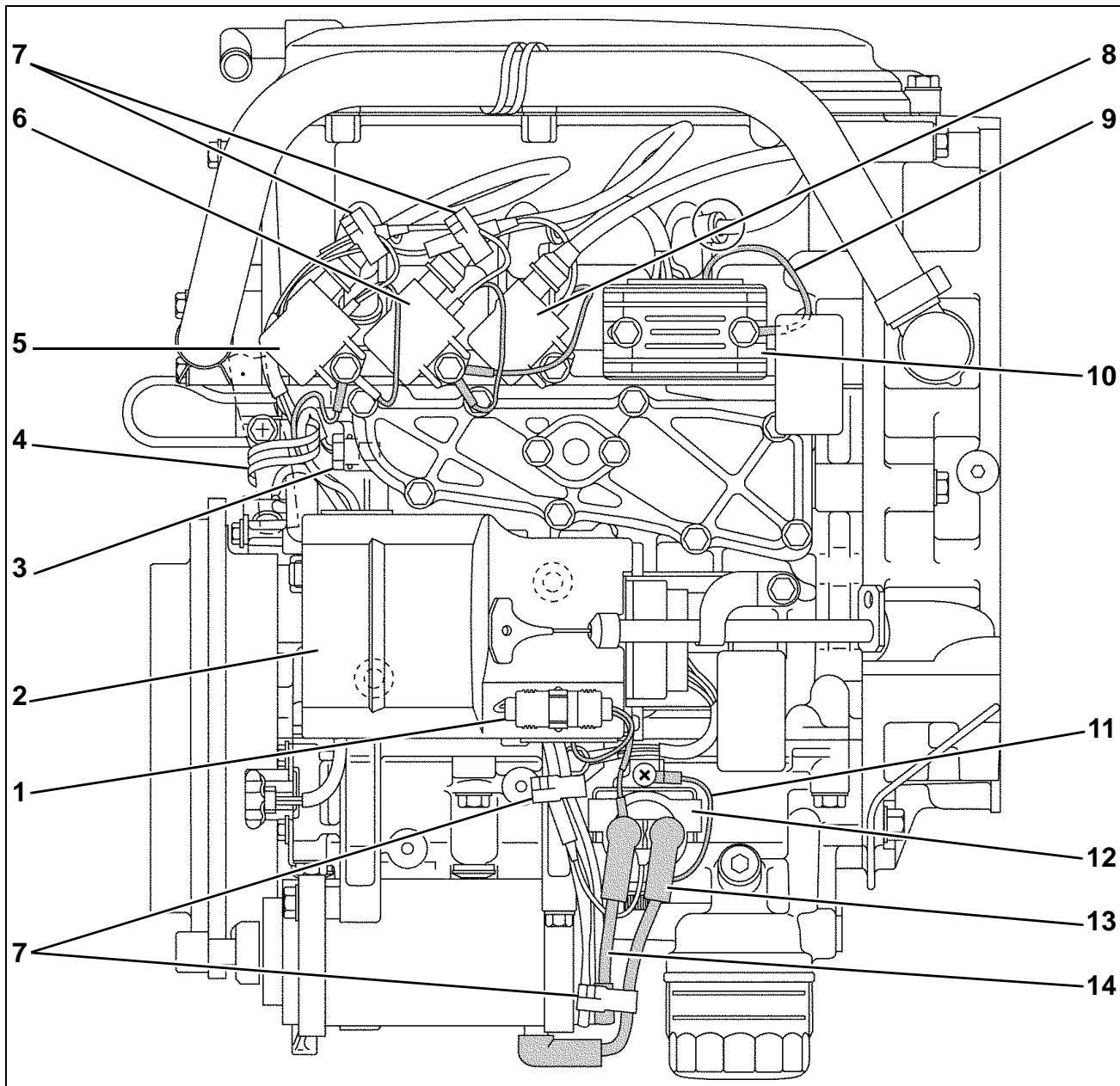
WIRE ROUTING



- 1. *Battery charge and power source coil*
- 2. *Crankshaft position sensor No. 1*
- 3. *Choke solenoid*
- 4. *Clamp*
- 5. *Crankshaft position sensor No. 2*
- 6. *Starter motor*

001951

30 TEL



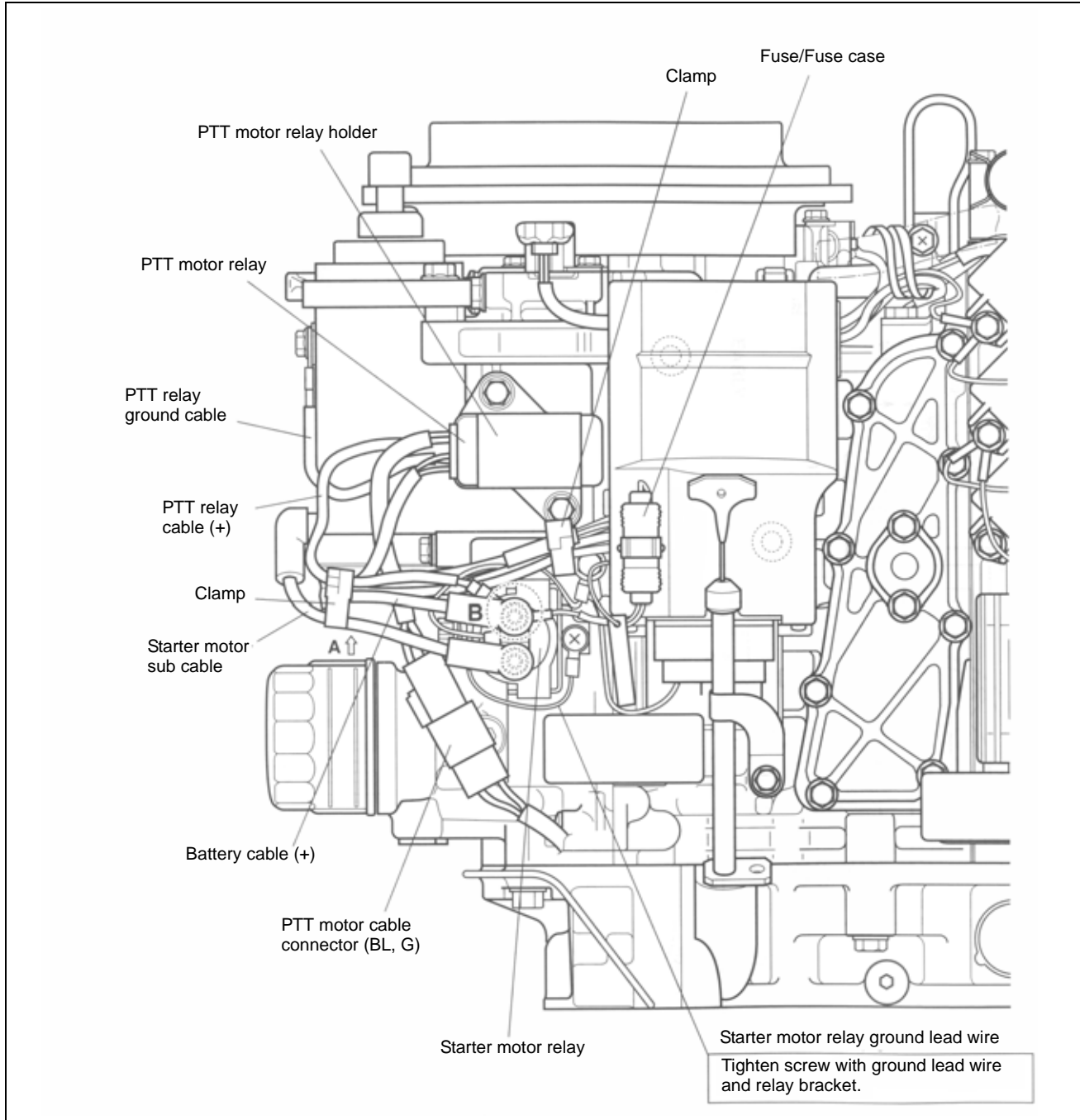
- 1. Fuse
- 2. Electric parts holder
- 3. Cylinder temperature sensor
- 4. Clamp
- 5. Ignition coil No. 1
- 6. Ignition coil No. 2
- 7. Clamp

- 8. Ignition coil No. 3
- 9. Rectifier ground lead wire
- 10. Rectifier and regulator
- 11. Starter motor relay ground lead wire
- 12. Starter motor relay
- 13. Starter motor sub cable
- 14. Battery cable (+)

001953

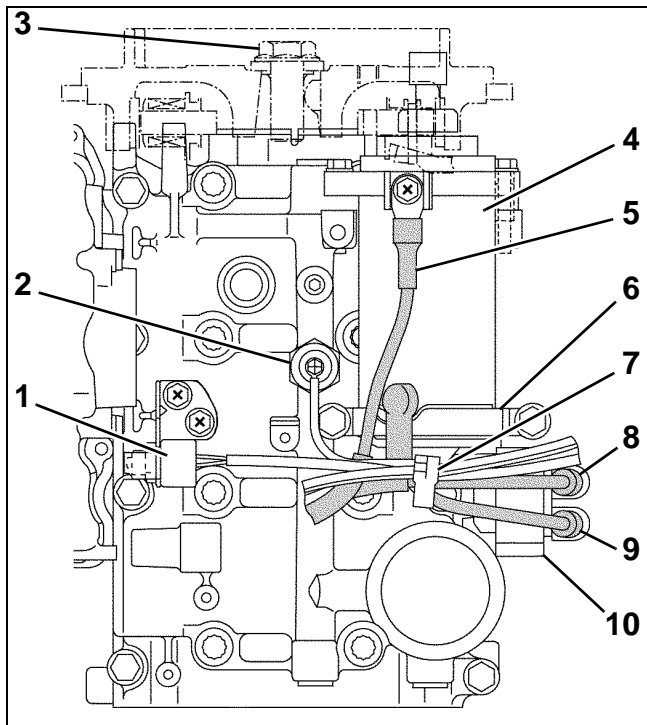
WIRE AND HOSE ROUTING
WIRE ROUTING

30 (PL) Remote



004354

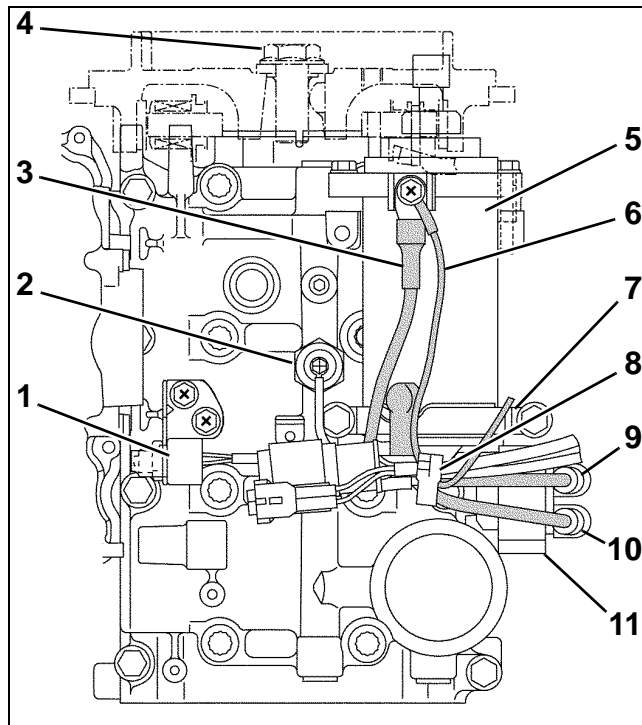
30 TEL



1. Neutral switch
2. Oil pressure switch
3. Flywheel bolt
4. Starter motor
5. Battery cable (-)
6. Starter motor band
7. Clamp
8. Battery cable (+)
9. Starter motor sub cable
10. Starter motor relay

001956

30 (PL) Remote

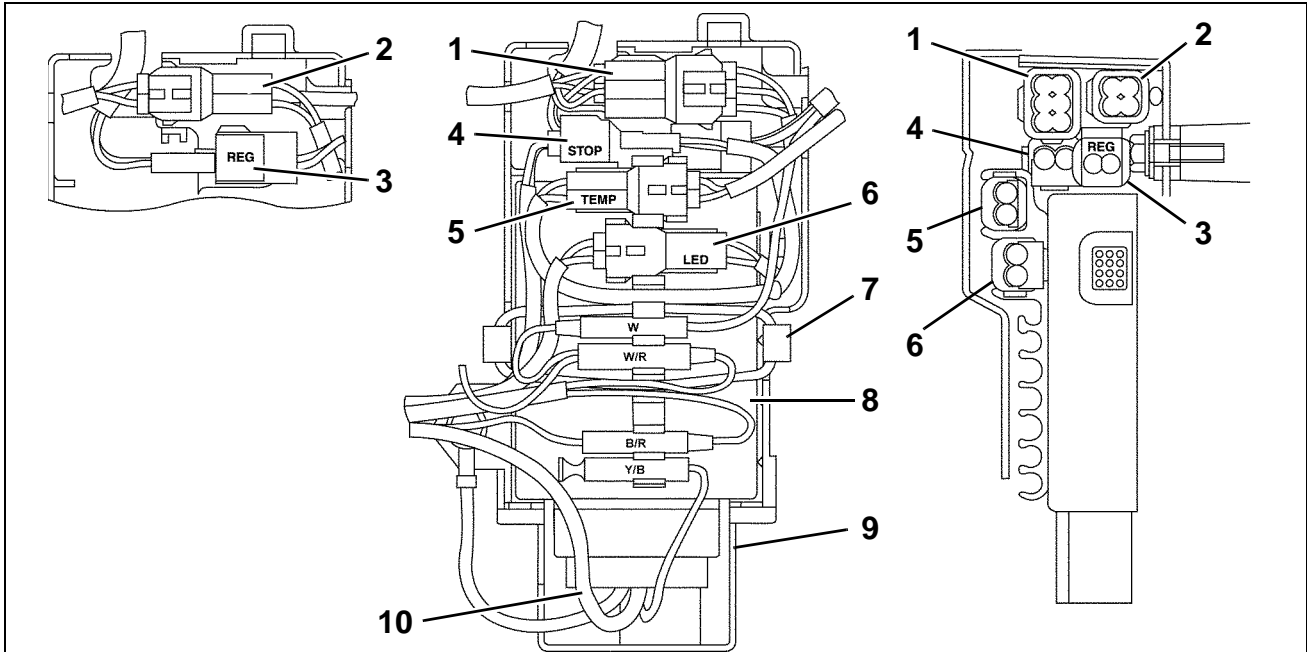


1. Neutral switch
2. Oil pressure switch
3. Battery cable (-)
4. Flywheel bolt
5. Starter motor
6. Battery cable (-)
7. Starter motor band
8. Clamp
9. Battery cable (+)
10. Starter motor sub cable
11. Starter motor relay

001957

WIRE AND HOSE ROUTING
WIRE ROUTING

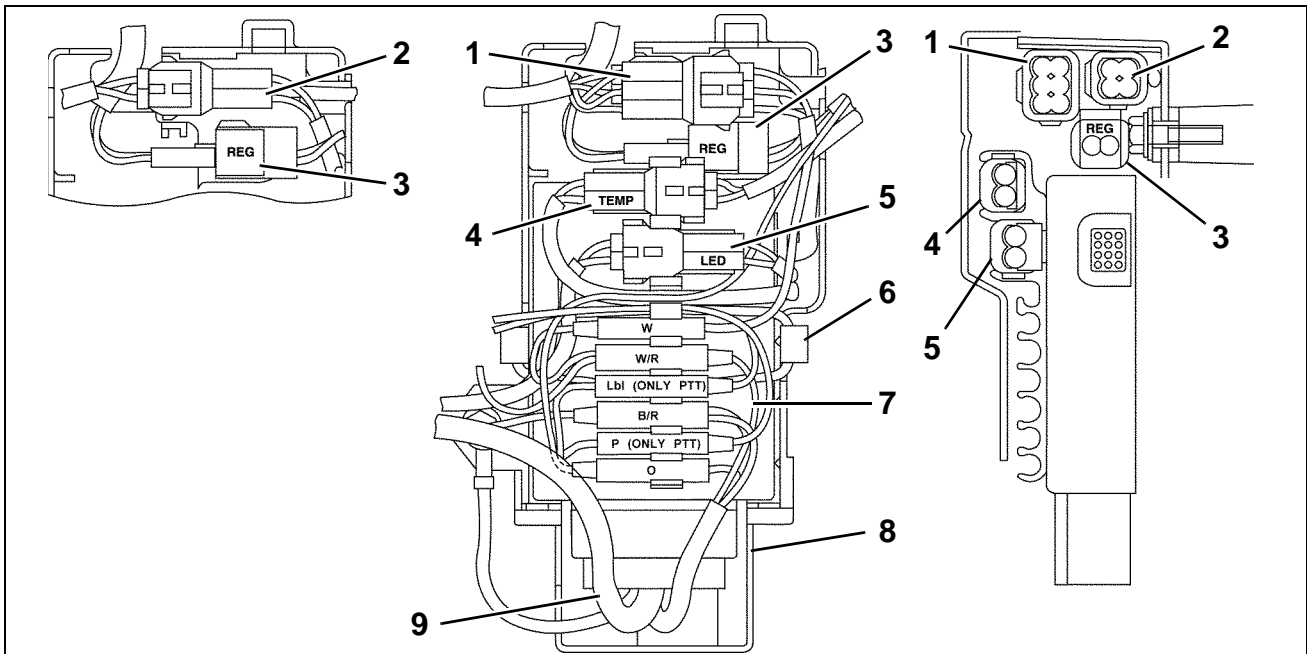
30 TEL



- | | |
|--|--------------------------------|
| 1. Power source coil connector | 6. Caution lamp connector |
| 2. Crankshaft position sensor connector | 7. Band |
| 3. Battery charge coil connector | 8. Power pack |
| 4. Stop switch connector | 9. Electric parts holder |
| 5. Cylinder temperature sensor connector | 10. Engine main wiring harness |

001959

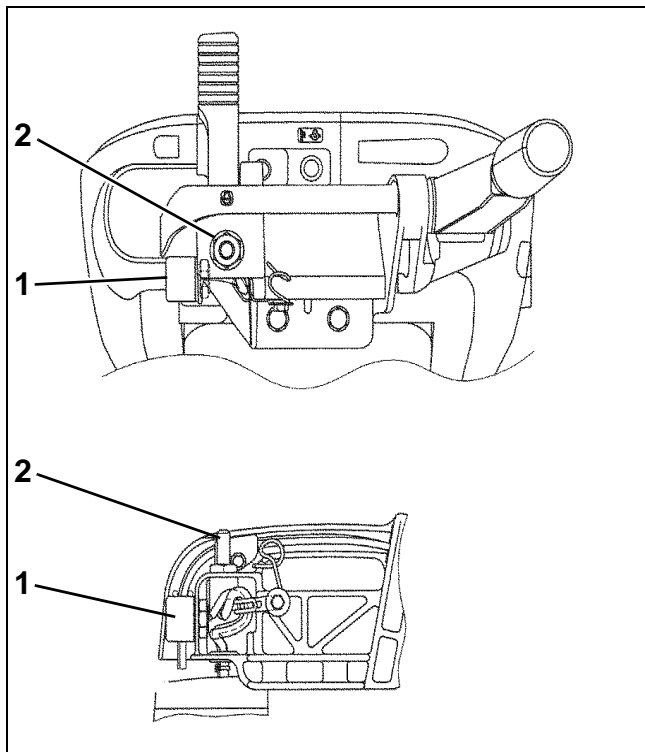
30 (PL) Remote



- | | |
|--|-------------------------------|
| 1. Power source coil connector | 6. Band |
| 2. Crankshaft position sensor connector | 7. Power pack |
| 3. Battery charge coil connector | 8. Electric parts holder |
| 4. Cylinder temperature sensor connector | 9. Engine main wiring harness |
| 5. Caution lamp connector | |

001960

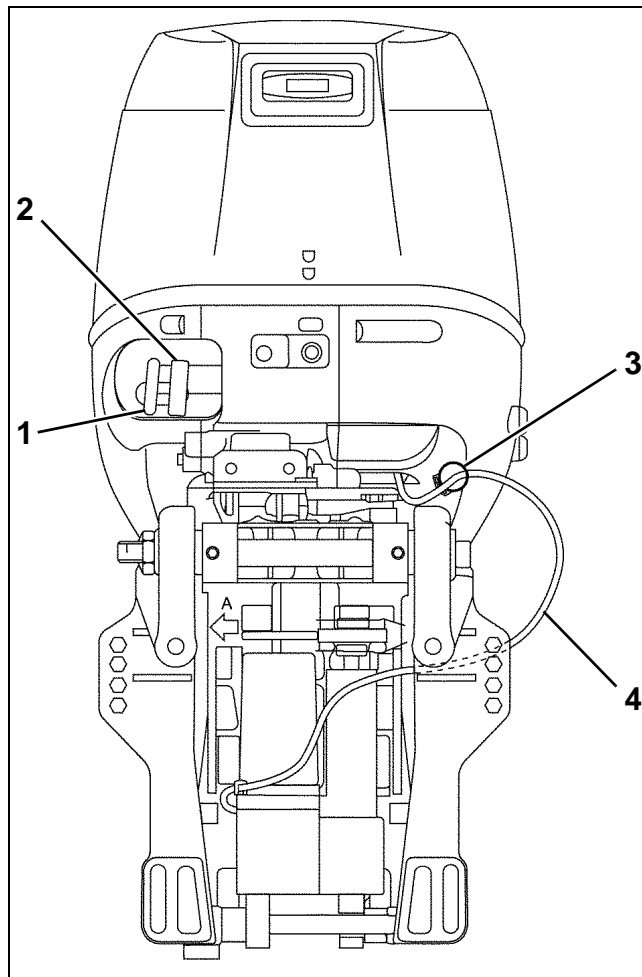
30 TEL



- 1. Starter switch
- 2. Emergency stop switch

001961

30 (PL) Remote

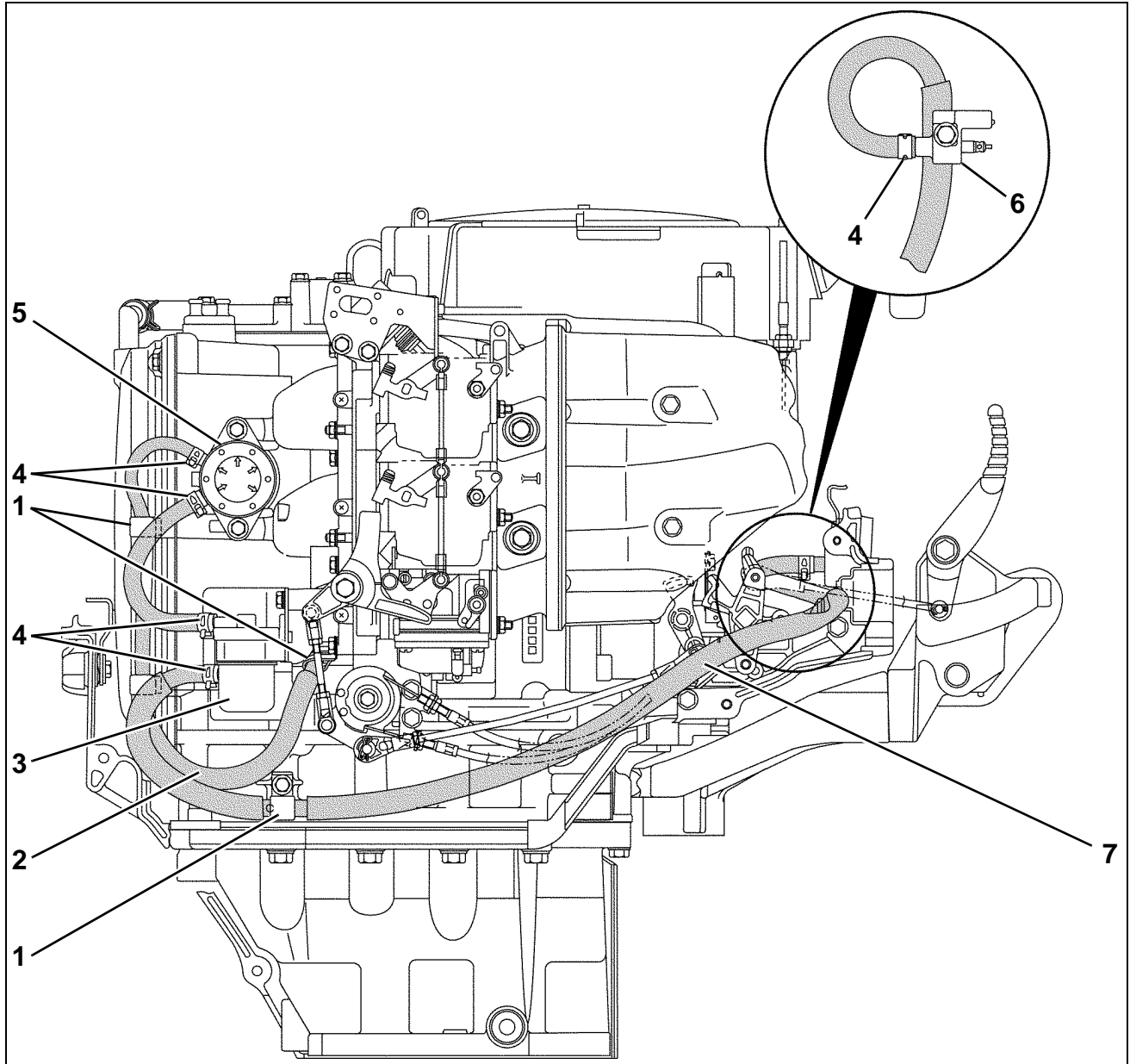


- 1. Remote control harness
- 2. Battery cable
- 3. Clip
- 4. PTT motor cable wire

001962

FUEL / WATER HOSE ROUTING

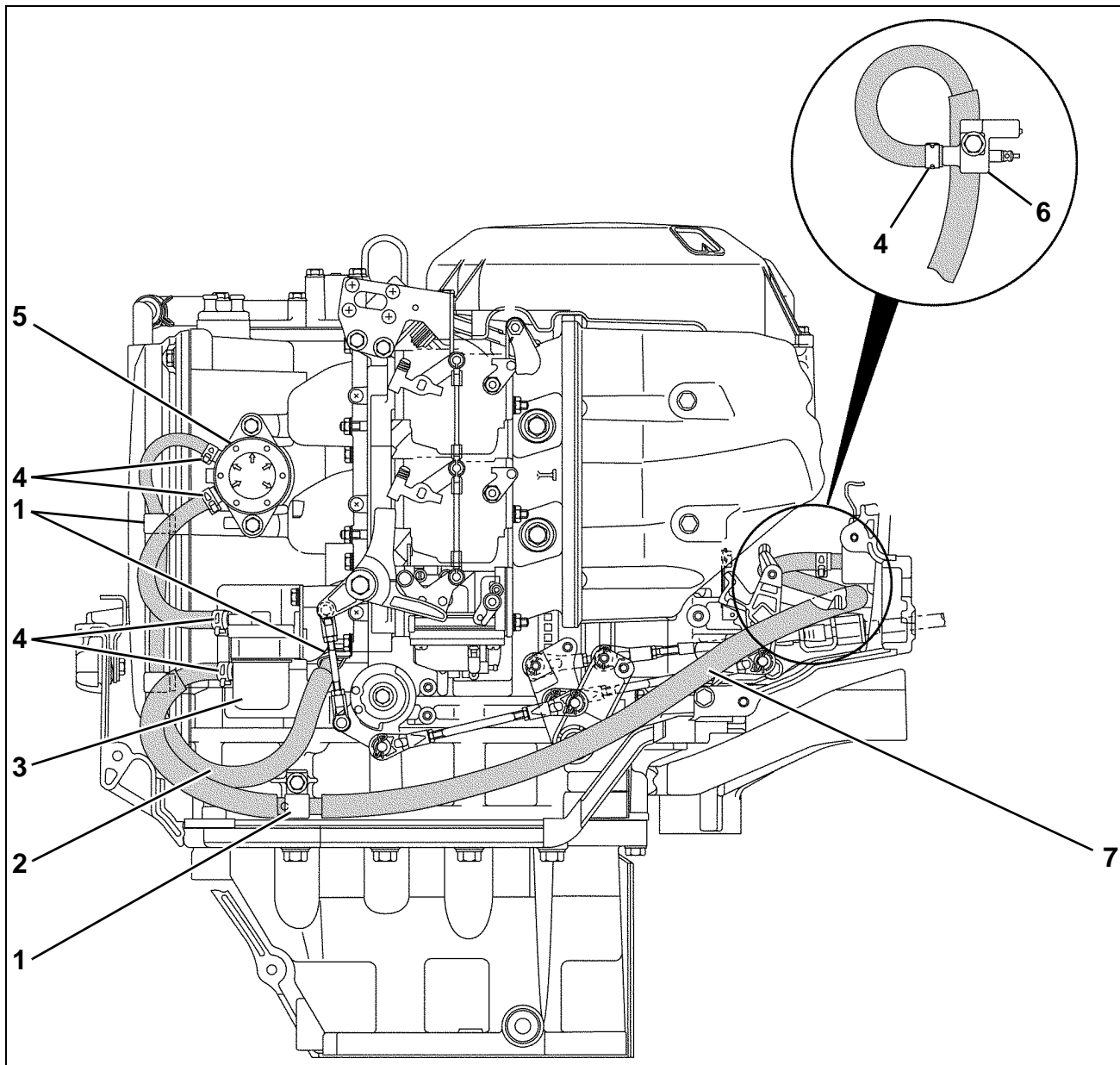
30 TEL



- 1. Hose clamp
- 2. Fuel hose (fuel pump to carburetor)
- 3. Fuel filter
- 4. Clip
- 5. Fuel pump
- 6. Fuel connector plug
- 7. Fuel hose (connector to fuel filter)

001964

30 (PL) Remote

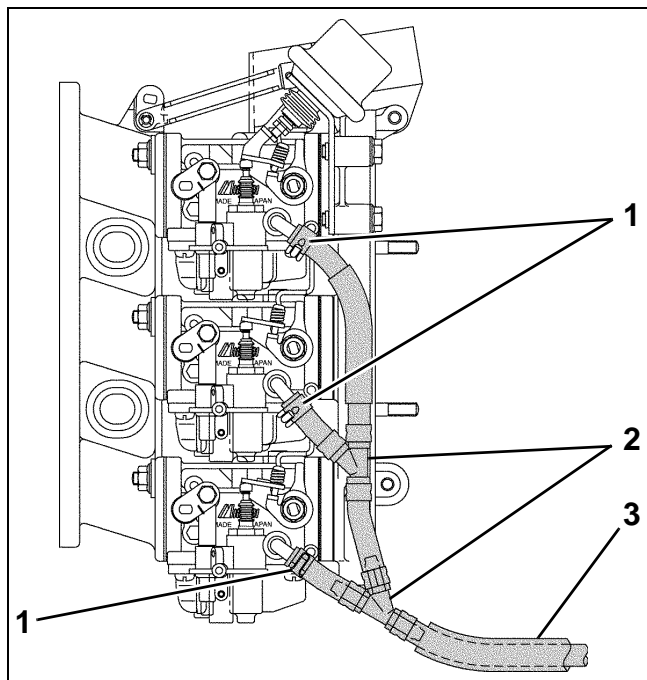


- 1. Hose clamp
- 2. Fuel hose (fuel pump to carburetor)
- 3. Fuel filter
- 4. Clip
- 5. Fuel pump
- 6. Fuel connector plug
- 7. Fuel hose (connector to fuel filter)

001963

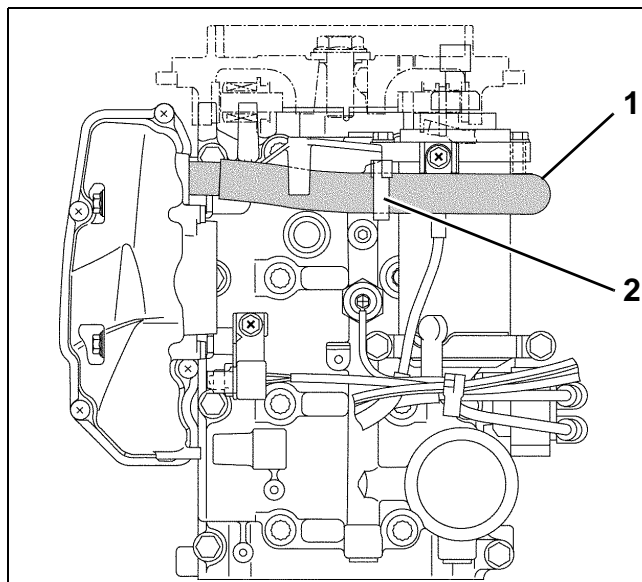
WIRE AND HOSE ROUTING

FUEL / WATER HOSE ROUTING



- 1. Clip
- 2. 3-way joint (with clips)
- 3. Fuel hose (fuel pump to carburetor)

001965



- 1. Breather hose / protector
- 2. Clamp

001966

WIRE AND HOSE ROUTING
FUEL / WATER HOSE ROUTING

